

FUEL GROUP

FIG. -31 FUEL HOSE & ACCELERATOR LINK SHAFT (MF10)

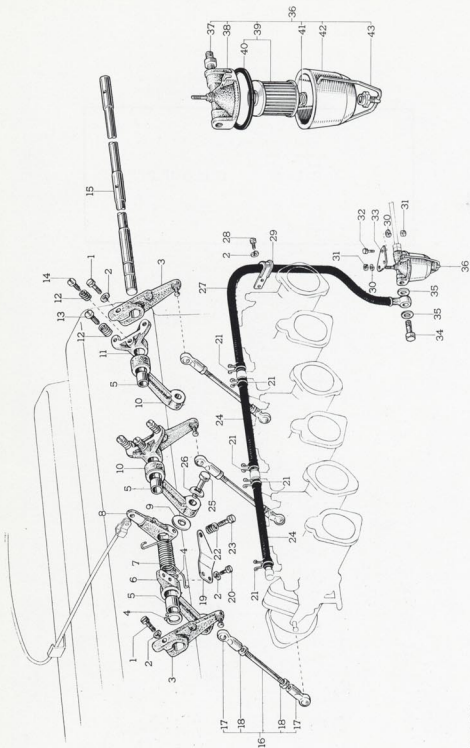


ILLUSTRATION PART NO.

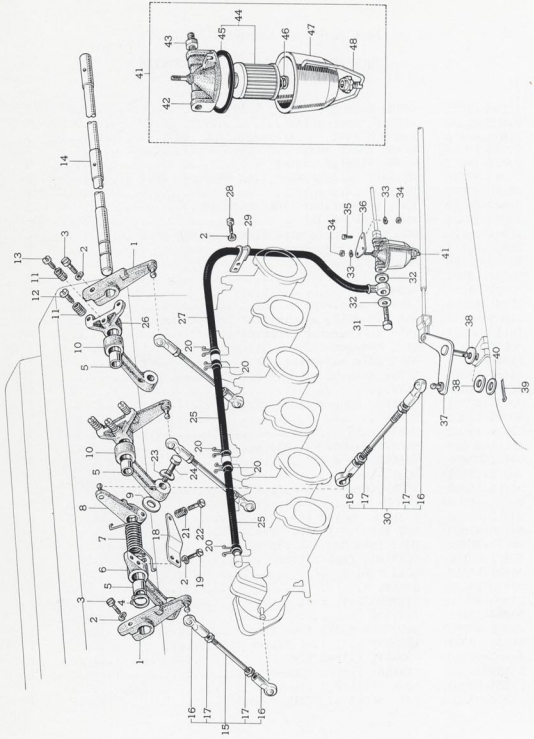
NOMENCLATURE

P E R
VEHICLE MODELFUEL HOSE, ACCELERATOR LINK SHAFT,
(MF10)
IDLE ADJUSTING ARM & FUEL FILTER

(FIG. 31)

1	93180-15022	SCREW (hex-hd. 5-0.9p x 22)	4	
2	94511-00500	WASHER, spring (5)	8	
3	21904-88110	ARM SUB-ASSY, accelerator link rod	3	MF10.10L
4	90072-52003	RING, shaft snap	2	MF10.10L
5	90072-38402	BUSH, bimetal formed	3	MF10.10L
6	21943-88110	BRACKET, accelerator link bearing, No.1	1	MF10
7	90072-50807	SPRING, torsion	1	MF10.10L
8	21947-88110	ARM, accelerator link shaft	1	MF10
9	90072-56405	SHIM (thk.=0.05)	0-1	MF10.10L
10	21944-88110	BRACKET, accelerator link bearing, No.2	2	MF10.10L
11	21962-88110	ARM, idle adjusting, No.2	2	MF10.10L
12	90072-50106	SPRING, compression	6	MF10.10L
13	90072-14902	SCREW	4	MF10.10L
14	90072-14901	SCREW	2	MF10.10L
15	21941-88110	SHAFT, accelerator link	1	MF10.10L
16	21905-88110	ROD SUB-ASSY, accelerator connecting	3	MF10.10L
17	78134-30031	END, accelerator connecting rod	6	MF10.10L
18	90170-05076	NUT, hexagon	6	MF10.10L
19	21961-88110	ARM, idle adjusting, No.1	1	MF10.10L
20	93180-15010	SCREW (hex-hd. 5-0.9p x 10)	2	
21	90467-11012	CLIP	5	MF10.10L
22	90072-50107	SPRING, compression	1	MF10.10L
23	90072-14301	SCREW	1	MF10.10L
24	90072-44502	HOSE	2	MF10.10L
25	91111-40828	BOLT (hex-hd. 8-1.25p x 28)	3	
26	94541-00800	WASHER, wave (8)	3	
27	90072-78101	HOSE, fuel	1	MF10.10L
28	93180-15008	SCREW (hex-hd. 5-0.9p x 8)	2	
29	90072-46106	CLAMP	1	MF10.10L
30	94512-00800	WASHER, spring (8)	3	
31	94110-40800	NUT (hex. 8-1.25p)	3	
32	91111-40816	BOLT (hex-hd. 8-1.25p x 16)	2	
33	23921-88110	SUPPORT, fuel filter	1	MF10.10L
34	90401-13013	BOLT, union	1	MF10.10L
35	90430-13039	GASKET	2	MF10.10L
36	23300-40010	FILTER ASSY, fuel	1	MF10.10L
37	90404-13105	FITTING	1	MF10.10L
38	23301-40010	BODY SUB-ASSY, fuel filter	1	MF10.10L
39	04234-30010	ELEMENT KIT, fuel filter	1	MF10.10L
40	23312-30010	GASKET, filter bowl	1	MF10.10L
41	23333-30010	SPRING, filter element set	1	MF10.10L
42	23313-30010	BOWL, filter	1	MF10.10L
43	23304-30010	BAIL SUB-ASSY, filter bowl	1	MF10.10L

FIG.-32 FUEL HOSE & ACCELERATOR LINK SHAFT (MF10L)



Toyota 2000 GT

57

ILLUSTRATION PART NO.

NOMENCLATURE

P E R
VEHICLE MODEL

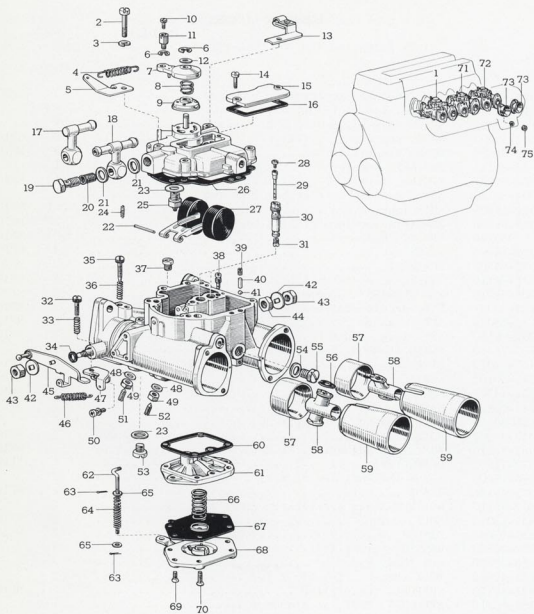
FUEL HOSE & ACCELERATOR LINK SHAFT
(MF10L)
IDLE ADJUSTING ARM & FUEL FILTER

(FIG. 32)

1	21904-88110	ARM SUB-ASSY, accelerator link rod	3	MF10.10L
2	94511-00500	WASHER, spring (5)	8	
3	93180-15022	SCREW (hex-hd. 5-0.9p x 22)	4	
4	90072-52003	RING, shaft snap	2	MF10.10L
5	90072-38402	BUSH, bimetal formed	3	MF10.10L
6	21943-88111	BRACKET, accelerator link bearing, No.1	1	10L
7	90072-50807	SPRING, torsion	1	MF10.10L
8	21904-88110	ARM SUB-ASSY, accelerator link rod	1	10L
9	90072-56405	SHIM (thk.-0.05)	0~1	MF10.10L
10	21944-88110	BRACKET, accelerator link bearing, No.2	2	MF10.10L
11	90072-50106	SPRING, compression	6	MF10.10L
12	90072-14902	SCREW	4	MF10.10L
13	90072-14901	SCREW	2	MF10.10L
14	21941-88110	SHAFT, accelerator link	1	MF10.10L
15	21905-88110	ROD SUB-ASSY, accelerator connecting	3	MF10.10L
16	78134-30031	END, accelerator connecting rod	8	MF10.10L
17	90170-05076	NUT, hexagon	8	MF10.10L
18	21961-88110	ARM, idle adjusting, No.1	1	MF10.10L
19	93180-15010	SCREW (hex-hd. 5-0.9p x 10)	2	
20	90467-11012	CLIP	5	MF10.10L
21	90072-50107	SPRING, compression	1	MF10.10L
22	90072-14301	SCREW	1	MF10.10L
23	94541-00800	WASHER, wave (8)	3	
24	91111-40828	BOLT (hex-hd. 8-1.25p x 28)	3	
25	90072-44502	HOSE	2	MF10.10L
26	21962-88110	ARM, idle adjusting, No.2	2	MF10.10L
27	90072-78101	HOSE, fuel	1	MF10.10L
28	93180-15008	SCREW (hex-hd. 5-0.9p x 8)	2	
29	90072-46106	CLAMP	1	MF10.10L
30	21907-88110	ROD SUB-ASSY, accelerator connecting, No.2	1	10L
31	90401-13013	BOLT, union	1	MF10.10L
32	90430-13039	GASKET	2	MF10.10L
33	94512-00800	WASHER, spring (8)	3	
34	94110-40800	NUT (hex. 8-1.25p)	3	
35	91111-40816	BOLT (hex-hd. 8-1.25p x 16)	2	
36	23921-88110	SUPPORT, fuel filter	1	MF10.10L
37	21091-88110	BELLCRANK ASSY, accelerator	1	10L
38	90202-06011	WASHER, plate	2	10L
39	95381-01610	PIN, cotter	1	
40	94611-10600	WASHER, plate (6 x 1.0)	1	
41	23300-40010	FILTER ASSY, fuel	1	MF10.10L
42	23301-40010	BODY SUB-ASSY, fuel filter	1	MF10.10L
43	90404-13105	FITTING	1	MF10.10L
44	04234-30010	ELEMENT KIT, fuel filter	1	MF10.10L
45	23312-30010	GASKET, filter bowl	1	MF10.10L
46	23333-30010	SPRING, filter element set	1	MF10.10L
47	23313-30010	BOWL, filter	1	MF10.10L
48	23304-30010	BAIL SUB-ASSY, filter bowl	1	MF10.10L

FUEL

FIG.-33 CARBURETOR



F 0410-A

Toyota 2000 GT

59

ILLUSTRATION PART NO.

NOMENCLATURE

PER VEHICLE MODEL

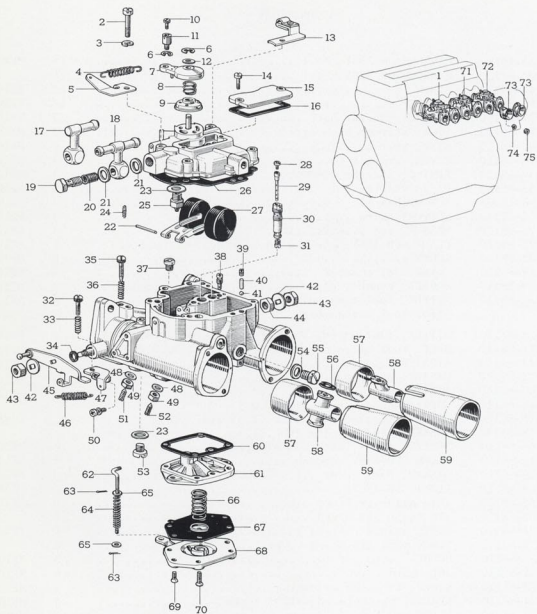
CARBURETOR

(FIG.33)				
1	21100-88110	CARBURETOR ASSY, No.1	1	MF10
	21100-88112	CARBURETOR ASSY, No.1	1	10L
2	21844-88110	SCREW	12	MF10.10L
3	21885-88110	WASHER	12	MF10.10L
4	21737-88110	SPRING, starter back	3	MF10.10L
5	21579-88110	STOP, starter back spring	3	MF10.10L
6	21792-88110	RING, snap	6	MF10.10L
7	21118-88110	COVER, starter	3	MF10.10L
8	21738-88110	SPRING, starter disc	3	MF10.10L
9	21138-88110	DISC, starter	3	MF10.10L
10	93180-15008	SCREW (hex-hd. 5-0.9p x 8)	3	
11	21522-88110	SUPPORT, wire	3	MF10.10L
12	21876-88110	WASHER, set	3	MF10.10L
13	21502-88110	CLAMP SUB-ASSY, choke wire (For No.3 carburetor) .	1	MF10.10L
14	21842-88110	SCREW	6	MF10.10L
15	21119-88110	COVER, jet chamber	3	MF10.10L
16	21649-88110	GASKET, chamber cover	3	MF10.10L
17	21751-88110	NIPPLE, fuel tank union, No.1	3	MF10.10L
		(For No.1 carburetor)		
18	21755-88110	NIPPLE, fuel union, No.2 (For No.2, 3 carburetor)	2	MF10.10L
19	21811-88110	BOLT, fuel union nipple	3	MF10.10L
20	21294-88110	STRAINER	3	MF10.10L
21	21621-88110	GASKET, union bolt	6	MF10.10L
22	21763-88110	PIN, float lever	3	MF10.10L
23	21618-88110	GASKET, needle valve (thk.=0.5)	}	1~9 MF10.10L
	21618-88120	GASKET, needle valve (thk.=1.0) (For STD)		
	21618-88130	GASKET, needle valve (thk.=1.5)		
24	21758-88110	SPRING, float lever pin stopper	6	MF10.10L
25	21301-88110	VALVE SUB-ASSY, needle	3	MF10.10L
26	21638-88110	GASKET, bowl cover	3	MF10.10L
27	21209-88110	FLOAT SUB-ASSY	3	MF10.10L
28	21262-88110	JET, main air bleed	6	MF10
	21262-88111	JET, main air bleed	6	10L
29	21224-88110	TUBE, main air bleed	6	MF10
	21224-88111	TUBE, main air bleed	6	10L
30	21558-88110	HOLDER, main jet	6	MF10.10L
31	21251-88110	JET, main	6	MF10.10L
32	21273-88110	SCREW, throttle adjusting	3	MF10.10L
33	21724-88110	SPRING, throttle adjusting screw	3	MF10.10L
34	21657-88110	SEAL	6	MF10.10L
35	21271-88110	SCREW, idle adjusting	6	MF10.10L
36	21724-88110	SPRING, throttle adjusting screw	3	MF10.10L
37	21267-88110	JET, starter	3	MF10.10L
38	21258-88110	JET, slow	6	MF10
	21258-88111	JET, slow	6	10L
39	21787-88110	PLUG, pump passage, No.1	6	MF10.10L
40	21561-88110	WEIGHT, pump valve	6	MF10.10L
41	21311-88110	BALL, pump valve check	6	MF10.10L
42	21881-88110	WASHER, lock, No.1	6	MF10.10L



FUEL

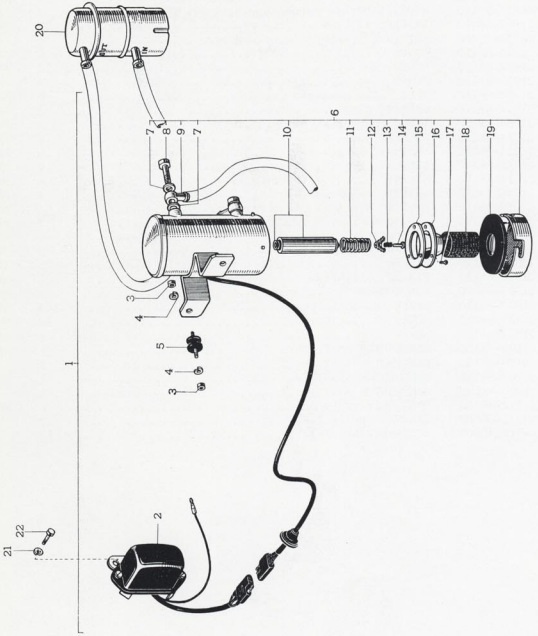
FIG.-33 CARBURETOR



F 0410-A

ILLUS- TRATION	PART NO.	NOMENCLATURE	P E R VEHICLE	MODEL
(FIG.33)				
43	21854-88110	NUT, set	6	MF10.10L
44	21548-88110	COLLAR, set nut	3	MF10.10L
45	21406-88110	LEVER SUB-ASSY, throttle	3	MF10.10L
46	21729-88110	SPRING, throttle lever return	3	MF10.10L
47	21578-88110	STOP, throttle return spring	3	MF10.10L
48	21882-88110	WASHER, lock, No.2	18	MF10.10L
49	94120-40600	NUT (hex. 6-1.0p)	18	
50	21845-88110	SCREW	6	MF10.10L
51	21824-88110	SCREW, set	12	MF10.10L
52	21832-88110	SCREW, set	6	MF10.10L
53	21784-88110	PLUG, slow passage	6	MF10.10L
54	21624-88110	GASKET, plug	3	MF10.10L
55	21789-88110	PLUG, pump passage, No.2	3	MF10.10L
56	21614-88110	GASKET, small venturi	6	MF10.10L
57	21213-88110	VENTURI, large	6	MF10.10L
58	21211-88110	VENTURI, small	6	MF10.10L
59	21114-88110	SLEEVE	6	MF10.10L
60	21646-88110	GASKET, diaphragm housing	3	MF10.10L
61	21019-88110	HOUSING SUB-ASSY, diaphragm	3	MF10.10L
62	21492-88110	ROD, pump	3	MF10.10L
63	21767-88110	PIN, cotter	6	MF10.10L
64	21741-88110	SPRING, pump	3	MF10.10L
65	21887-88110	WASHER	6	MF10.10L
66	21867-88110	SPRING, diaphragm	3	MF10.10L
67	21707-88110	ROD SUB-ASSY, diaphragm	3	MF10.10L
68	21047-88110	LEVER SUB-ASSY, pump	3	MF10.10L
69	21847-88110	SCREW	12	MF10.10L
70	21849-88110	SCREW	6	MF10.10L
71	21100-88120	CARBURETOR ASSY, No.2	1	MF10
	21100-88122	CARBURETOR ASSY, No.2	1	10L
72	21100-88130	CARBURETOR ASSY, No.3	1	MF10
	21100-88132	CARBURETOR ASSY, No.3	1	10L
73	21112-88110	HORN, air	6	MF10.10L
74	94511-00600	WASHER, spring (6)	12	
75	94110-40600	NUT (hex. 6-1.0p)	12	

FIG.-34 FUEL PUMP & FUEL FILTER



ILLUS-
TRATION PART NO.

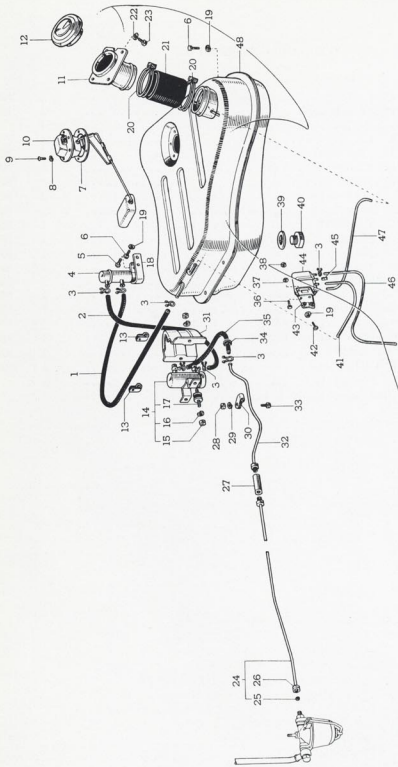
NOMENCLATURE

P E R
VEHICLE MODEL

FUEL PUMP & FUEL FILTER

(FIG. 34)				
1	23100-50013	PUMP ASSY, fuel	1	MF10.10L
2	23108-50013	PUMP RELAY SUB-ASSY	1	MF10.10L
3	90092-00602	NUT	4	
4	90094-00602	WASHER	4	
5	23109-50010	MOUNTING SUB-ASSY	2	MF10.10L
6	23107-50013	PUMP BODY SUB-ASSY, fuel	1	MF10.10L
7	23112-50010	WASHER, joint	4	MF10.10L
8	23113-50011	JOINT, inlet nipple	2	MF10.10L
9	23111-50011	NIPPLE, swiveling	2	MF10.10L
10	23106-50012	PLUNGER SUB-ASSY	1	MF10.10L
11	23120-50012	SPRING, plunger	1	MF10.10L
12	23124-50011	GUIDE, spring	1	MF10.10L
13	23121-50010	SPRING, check valve	1	MF10.10L
14	23122-50010	VALVE, check	1	MF10.10L
15	23119-50011	PACKING, rubber	1	MF10.10L
16	23123-50011	STOPPER, valve, B	1	MF10.10L
17	90090-00306	SCREW	2	
18	23105-50013	FILTER SUB-ASSY, fuel pump	1	MF10.10L
19	23114-50012	PACKING, rubber	1	MF10.10L
20	23300-50010	FILTER ASSY, fuel	1	MF10.10L
21	94511-00600	WASHER, spring (6)	2	
22	91111-40612	BOLT (hex-hd. 6-1.0p x 12)	2	

FIG. -35 FUEL TANK & PIPE



Toyota 2000 GT

65

ILLUSTRATION PART NO.

NOMENCLATURE

P E R
VEHICLE MODEL

FUEL TANK, INLET HOSE,

FUEL HOSE & FILTER SUPPORT

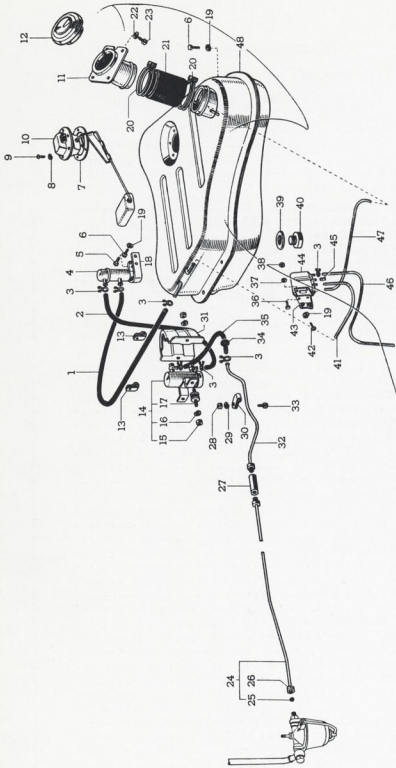
(FIG. 35)

1	90072-44503	HOSE (L=650)	1	MF10.10L
2	90072-44504	HOSE (L=400)	1	MF10.10L
3	90467-11012	CLAMP	9	MF10.10L
4	23300-50010	FILTER ASSY, fuel (Refer Fig.-34)	1	MF10.10L
5	93180-16025	SCREW (hex-hd. 6-1.0p x 25)	1	
6	91111-40612	BOLT (hex-hd. 6-1.0p x 12)	6	
7	83361-20020	GASKET, fuel sender gage	1	MF10.10L
8	94511-00400	WASHER, spring (4)	5	
9	93210-14010	SCREW (rd-hd. 4-0.75p x 10)	5	
10	83320-62010	GAGE ASSY, fuel sender	1	MF10.10L
11	77202-88110	PIPE SUB-ASSY, fuel tank inlet, upper	1	MF10.10L
12	77031-62020	CAP & KEY SET, fuel tank	1	MF10.10L
13	90461-08209	CLAMP	2	MF10.10L
14	23100-50013	PUMP ASSY, fuel (Refer Fig.-34)	1	MF10.10L
15	90092-00602	NUT	4	
16	90094-00602	WASHER	4	
17	23109-50010	MOUNTING SUB-ASSY	2	MF10.10L
18	23921-50010	SUPPORT, fuel filter	1	MF10.10L
19	94511-00600	WASHER, spring (6)	8	
20	90072-46002	CLAMP	2	MF10.10L
21	90072-44505	JOINT, fuel tank inlet pipe	1	MF10.10L
22	94511-00500	WASHER, spring (5)	4	
23	93280-15012	SCREW (hex-hd. 5-0.9p x 12)	4	
24	77208-88110	TUBE SUB-ASSY, fuel, front	1	MF10.10L
25	90410-08004	SLEEVE, ball	1	MF10.10L
26	90402-13015	NUT, union	1	MF10.10L
27	96320-71400	UNION, flare, A	1	MF10.10L
28	94110-40800	NUT (hex. 8-1.25p)	2	
29	94512-00800	WASHER, spring (8)	2	
30	90461-06144	CLAMP	2	MF10.10L
31	58359-88110	COVER, fuel pump	1	MF10.10L
32	77253-88110	TUBE, fuel, rear	1	MF10.10L
33	91111-40820	BOLT (hex-hd. 8-1.25p x 20)	2	
34	90480-20030	GROMMET	1	MF10.10L
35	90072-44507	HOSE (L=250)	1	MF10.10L
36	91111-40616	BOLT (hex-hd. 6-1.0p x 16)	2	
37	94612-10600	WASHER, plate (6 x 1.0)	2	
38	94110-40600	NUT (hex. 6-1.0p)	2	
39	90430-24076	GASKET	1	MF10.10L
40	90341-24018	PLUG, w/head straight screw	1	MF10.10L
41	90072-44607	TUBE, fuel breather (A) (L=750)	1	MF10.10L
42	93240-16012	SCREW (bind-hd. 6-1.0p x 12)	2	
43	77234-88110	BRACKET, breather tube, joint	1	MF10.10L
44	77204-30010	PIECE SUB-ASSY, breather tube, joint	1	MF10.10L



FUEL

FIG.-35 FUEL TANK & PIPE



Toyota 2000 GT

67

ILLUS- TRATION	PART NO.	NOMENCLATURE	P E R VEHICLE	MODEL
(FIG. 35)				
45	90072-44610	TUBE, fuel breather (D) (L=60)	1	MF10.10L
46	90072-44609	TUBE, fuel breather (C) (L=450)	1	MF10.10L
47	90072-44608	TUBE, fuel breather (D) (L=850)	1	MF10.10L
48	77001-86110	TANK SUB-ASSY, fuel	1	MF10.10L

FUEL

..... SPACE FOR MEMO

.....